

Sludge pumps WEDA S

The WEDA sludge pumps can handle thick, soft, wet mud or other similarly viscous mixtures of liquids and solids, especially the product of an industrial or refining process.

IMPROVED CABLE SEALING

Ensures protection against water leakage from cable entry

DRY RUNNING CAPABILITIES

Improved rib design offers external cooling to motor for extended running time

MOTOR PROTECTION

Class F motors, with thermal switches in each winding

HIGHER SOLIDS HANDLING

Sludge pumps can handle solids up to 2 inch

**SOLIDS
HANDLING**
UP TO **2** inch

ROBUST DESIGN

Base of the pump ensures stability while enabling passage of large solids

WEDA+ *

1. Rotation control
2. Phase failure protection
3. Thermal switches
4. Phase shifter plugs for three-phase pumps

* or with terminal board motor connection.



EASY INSPECTION

External oil inspection plug for quick inspection of oil

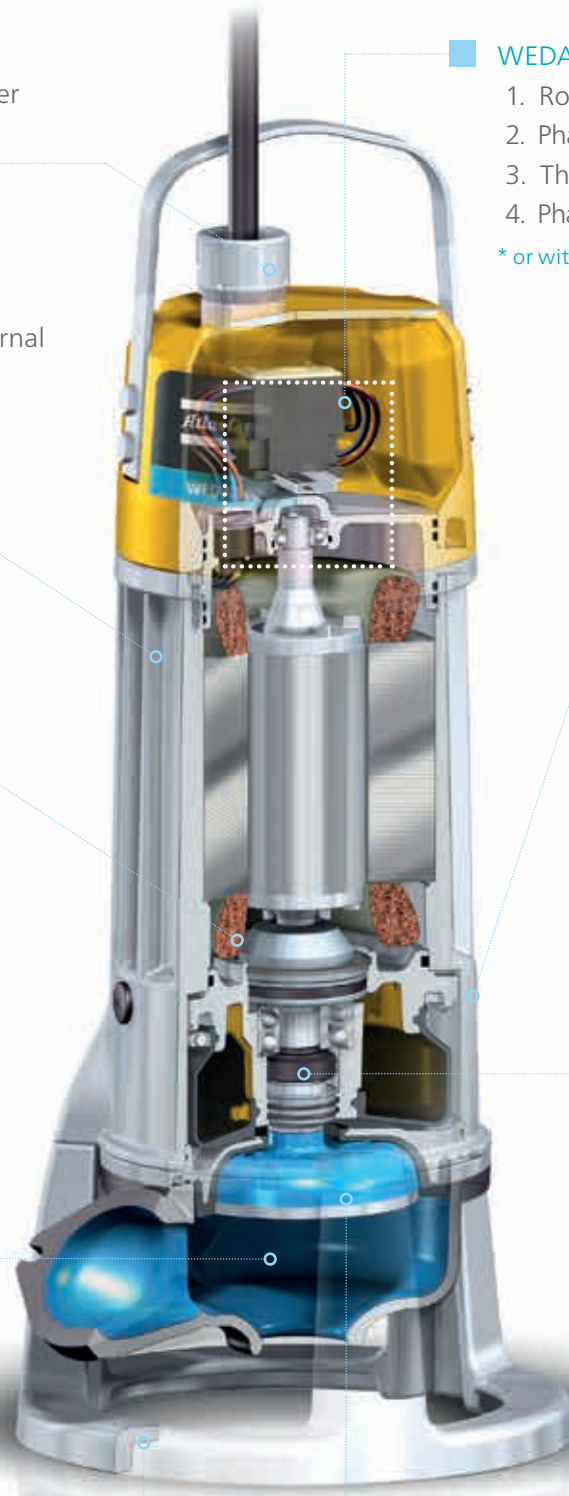
MODULAR SEALING SOLUTION

Based on pump size, the sealing system is adapted to provide the best solution

SUSTAINABLE PERFORMANCE

High-chrome (55HRC) impellers provide higher wear resistance

560 
HB

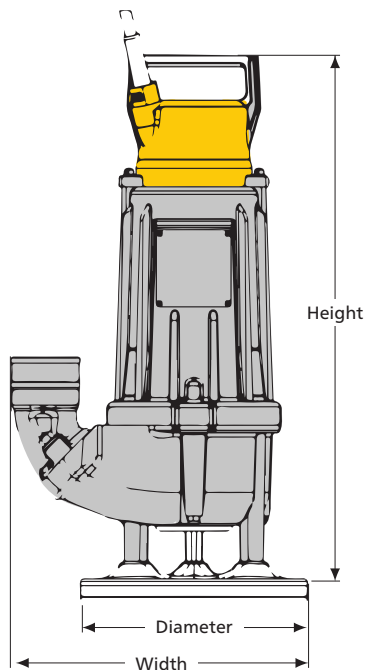


Sludge pumps, WEDA S

Technical data



		WEDA S04N	WEDA S08N	WEDA S30N		WEDA S50N	WEDA S60N
Specifications		1ph	1ph	1ph	3ph	3ph	3ph
Max. head	ft	32.8	48.6	51	61	92	100
Max. flow	US gpm	58.1	76.6	190	230	370	420
	m ³ /h	16.2	19.0	43	52	84	95
Rated output	hp	0.5	1.0	3.0	4.0	6.2	9.2
Max. power input	kW	-	-	2.8	3.6	7.0	8.0
Discharge connection	in	2"	2"	3"	3"	4" (3")	4" (3")
Max solids handling size	in	1"	1"	2"	2"	2"	2"
Weight and dimensions							
Weight	lbs	22.1	28.7	55	55	130	143
Height	in	14.7	16.38	24.3	24.3	32	34.2
Width	in	10.9	10.9	12.8	12.8	18	17.7
Diameter	in	9.5	9.5	9.8	9.8	14	13.8



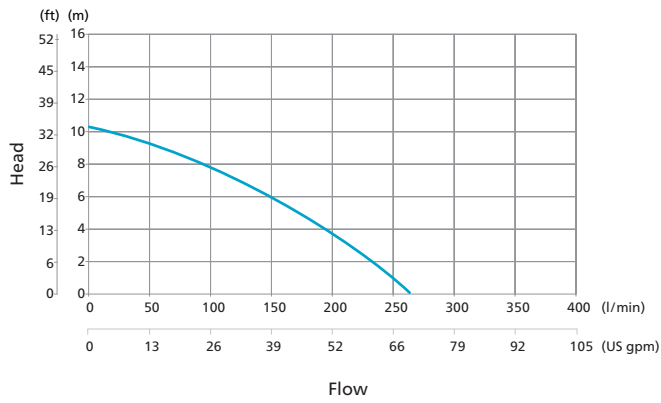
Typical applications

- Water containing mud
- Sludge or light slurry
- Tank clean-out
- Trench and pond cleaning
- Mining

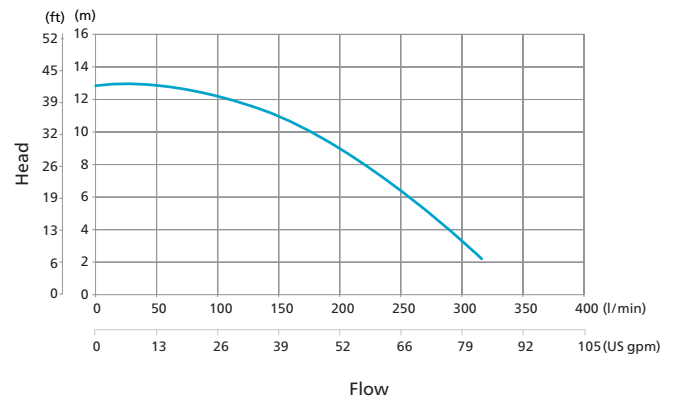


Performance curves

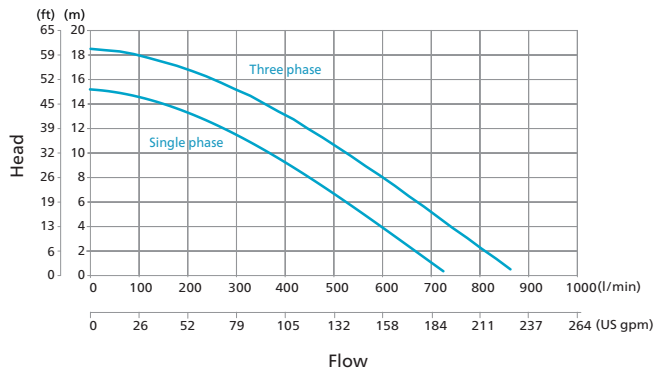
 **WEDA S04N**



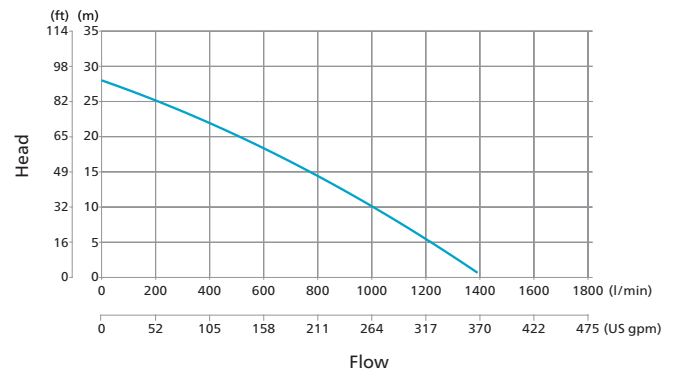
 **WEDA S08N**



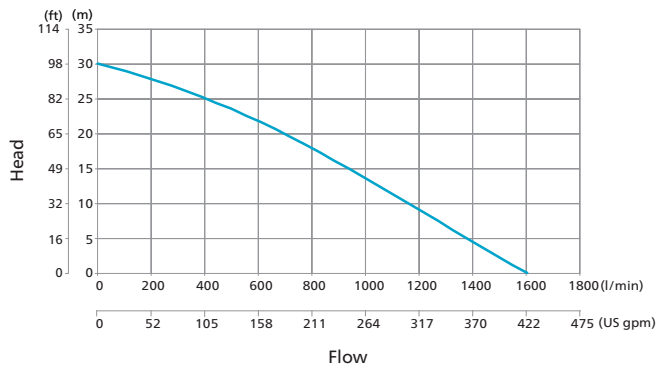
 **WEDA S30N**



 **WEDA S50N**



 **WEDA S60N**



— Normal head
According to ISO 9906 – ANNEX A

We have all the accessories you need for your WEDA pump

Control panel

For easy control of pumps, different options available.



Discharge connections

It can be mounted in either a vertical or horizontal position.



• NPT

Slim Adapter

For lowering pumps in narrow pipes and manholes D50H, D60H, D70H, D90H only



Raft

For easy floatation of pump with fluctuating water levels. Strainer option available



Level regulators

For easy control of water level by automatic pump switch-on/-off:



• Float switch

Zinc anodes

Specifically required for pumping water with a high concentration of salts such as sea water, brine, etc.



Low suction collar

To easily drain the water level down to the floor.

Epoxy coating

For protecting pumps in highly acidic media.

Service kits

Seal kit

The seal kit is the proper selection of high quality components for a mechanical seal change to ensure trouble-free operation after servicing.

- O-ring kit
- Mechanical shaft seal



Instant service pack

The instant service pack is a preassembled, tested and ready-to-use seal system containing the mechanical shaft seals, bearings, gaskets and oil to ensure trouble-free operation. It offers a quick onsite repair option due to ease of installation and therefore reduces the machine downtime cost.



Wear part kit

The wear part kit is a typical selection of components to bring the pump performance back to factory standard. The ideal solution for a machine overhaul or refurbishment.

- Impeller
- Wear plate
- Diffuser
- Impeller nut