



Atlas Copco



Oil-injected rotary screw compressors

GX 2-7 EP
G 7-15
G 15L-22



The new G series

The latest-generation G series comes with Atlas Copco's powerful rotary screw element and an advanced electronic controller on the G 7-15 and the G 15L-22 to go above and beyond the call of duty.

Built-in reliability

- Atlas Copco's patented rotary screw element allows for a 100% duty cycle.
- The complete unit is designed to operate at ambient temperatures of up to 46°C/115°F.

Easy installation

- Available in multiple configurations – including floor or tank mounted and with or without integrated dryer.
- Extremely small footprint and cooling air discharge from the top allow for placement against a wall or even in a corner.

The ideal small business compressor

Atlas Copco compressors are legendary for their reliability and efficiency. That is why our G series has long been the preferred air solution for small and medium sized businesses. The GX 2-7 EP, the G 7-15, and the G 15L-22 simply check all the boxes:

- Quiet
- Efficient
- Powerful
- Reliable

Atlas Copco, premium quality since 1873

Atlas Copco was founded in 1873 and is based in Stockholm, Sweden. We have been a global leader in high-quality compressed air technology for more than a century and continue to raise the bar with innovative products.

Advanced monitoring

The new BASE controller on the G 7-15 and the G 15L-22 offers advanced monitoring and control:

- Icon-based display, pressure settings, temperature reading.
- Running hours/hours working @ load.
- Service warnings.
- Outlet pressure setting directly on the controller.

Robust and efficient compression element

Atlas Copco's trusted rotary screw element offers high free air delivery and supreme reliability.





G 7-15 Industry-leading performance

- Thanks to load/no load control, the compressor controller switches automatically to the optimum control mode for high, low and intermittent air consumption.
- Best-in-class performance, total reliability and low power consumption.



G 15L-22 The robust, economical compressor

- Reliable performance with a 100% continuous duty cycle in up to 46°C/115°F ambient temperatures.
- Extremely small footprint with possible placement against a wall or in a corner. Available in multiple configurations.



GX 2-7 EP Compact and efficient

- The rotary screw technology minimizes vibrations for silent operation at the lowest initial investment.
- The standard start/stop control on the GX 2-5 EP ensures the compressor only consumes power when compressed air is needed. The GX 7 EP is equipped with energy efficient load/no load control.



Zero hassle, zero worries compressors



High reliability

- 100% continuous duty cycle.
- Up to 46°C/115°F ambient temperatures.



Low maintenance

- Easy access for maintenance.
- Quality components.



Silent operation

- Belt-driven element.
- Reduced noise levels and low vibration.



Full Feature (FF)

- Integrated refrigerant air dryer.
- In-line PD/UD+ air filters.



Environmentally friendly

- Reduced energy consumption.
- Low CO₂ emissions.

ATLAS COPCO G SERIES – A TRUSTED PARTNER

Monitor performance and productivity

Use AIRkeeper to check your G compressor's real-time performance indicators:

- Pressure • Temperature • Running hours • Operation mode



Control and optimize your compressor*

With AIRkeeper you can remotely control your compressor and optimize its efficiency:

- Start and stop your compressor
- Set unload and load pressure
- Select your required pressure bands to enhance performance and save energy
- Set up your week timer

*only for G 7-22 series



Quality air performance

Untreated compressed air contains moisture, aerosols and dirt particles that can damage your system and contaminate your end product. Atlas Copco's G series compressors provide the clean, dry air that improves reliability, avoids costly downtime and safeguards your products.

Full Feature with built-in dryer

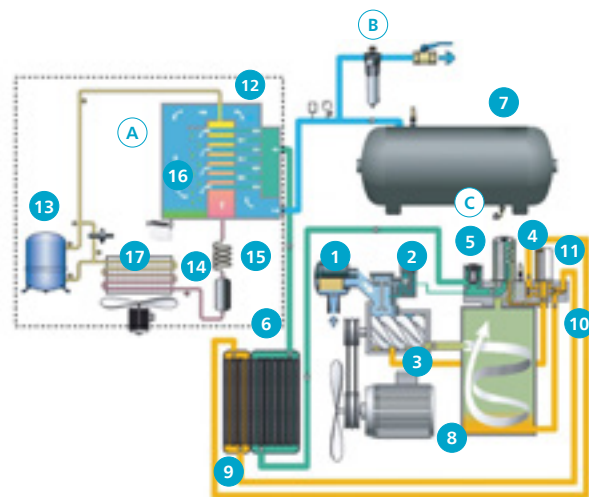
The Full Feature version comes with a built-in refrigerant air dryer. It cools the compressed air and removes any moisture before it can enter your compressed air network. This prevents rust in your compressed air piping and avoids damage to your air tools.

A choice of filters

To ensure your compressed air meets the quality air needs of a wide range of applications, different grade PD/UD+ air filters can be selected.

Typical flow chart for the G 7-15 FF

- Intake air
- Air/oil mixture
- Oil
- Wet air
- Dry air
- Water
- Refrigerant gas
- Refrigerant liquid



Air Flow

- 1 Inlet air filter
- 2 Inlet valve
- 3 Compression element
- 4 Oil separator element
- 5 Minimum pressure valve
- 6 Aftercooler
- 7 Air receiver

Oil Flow

- 8 Oil reservoir
- 9 Oil cooler
- 10 Thermostatic valve block
- 11 Oil filter

Refrigerant Flow

- 12 Evaporator
- 13 Refrigerant compressor
- 14 Condenser
- 15 Capillary tube
- 16 Water separator
- 17 Electronic automatic drain

Options

- A Full Feature
- B PD/UD+ high efficiency air filter
- C Electronic receiver drain

Options

Available options	GX 2-7 EP	GX 2-7 EP FF	G 7-15	G 7-15 FF	G15L-22	G15L-22 FF
Integrated aftercooler	-	-	O	✓	✓	✓
Water separator (shipped loose)	-	✓	O	✓	O	✓
Timer water drain on water separator (shipped loose)	-	-	O	-	-	-
Timer drain on air receiver (tank mounted only)	O	O	O	O	-	✓
Electronic no loss water drain on water separator (shipped loose)	-	✓	O	✓	O	O
Electronic no loss water drain on air receiver (tank mounted only)	-	-	O	O	O	O
Integrated DD filter kit	-	-	-	O	O	O
Integrated high performance PD/UD+ filter kit	-	O	-	O	O	O
500 l/120 gal air receiver (tank mounted only)	-	O	O	O	✓	✓
Tropical thermostat	-	-	O	O	O	O

✓ Standard O Optional - Not available

Technical specifications

Compressor type	Maximum working pressure		Capacity FAD			Installed motor power		Noise level dB(A)	Weight (kg/lbs)*	
	bar(e)	psi	l/s	m³/h	cfm	kW	hp		Pack	Full Feature
50 Hz version										
GX 2 EP	10	145	4.0	14.4	8.5	2.2	3	61	153/337	187/337
GX 3 EP	10	145	5.3	19.1	11.2	3	4	61	157/346	191/346
GX 4 EP	10	145	7.8	28.1	16.5	4	5	62	159/351	193/351
GX 5 EP	10	145	10.0	36.0	21.2	5.5	7.5	64	164/362	198/362
GX 7 EP	10	145	14.0	50.4	29.7	7.5	10	66	214/472	264/472
G 7	7.5	109	20.7	74.6	43.9	7.5	10	65	245/540	327/540
	10	145	18.0	64.9	38.2	7.5	10	65	245/540	327/540
	13	189	13.9	50.1	29.5	7.5	10	65	245/540	327/540
G 11	7.5	109	28.7	103.3	60.8	11	15	69	258/569	340/569
	10	145	24.0	86.5	50.9	11	15	69	258/569	340/569
	13	189	19.2	69.1	40.7	11	15	69	258/569	340/569
G 15	7.5	109	32.4	116.7	68.7	15	20	71	270/595	340/595
	10	145	29.1	104.8	61.7	15	20	71	270/595	340/595
	13	189	22.8	82.1	48.3	15	20	71	270/595	340/595
G 15L	7.5	109	42.5	153.0	90.1	15	20	67	537/1184	595/1312
	10	145	38.5	138.6	81.6	15	20	67	537/1184	595/1312
	13	189	31.2	112.3	66.1	15	20	67	537/1184	595/1312
G 18	7.5	109	52.1	187.6	110.4	18	25	69	545/1202	609/1343
	10	145	45.1	163.4	96.2	18	25	69	545/1202	609/1343
	13	189	38.5	138.6	81.6	18	25	69	545/1202	609/1343
G 22	7.5	109	62.0	223.2	131.4	22	30	70	561/1237	625/1378
	10	145	54.1	194.7	114.5	22	30	70	561/1237	625/1378
	13	189	46.4	167.1	98.3	22	30	70	561/1237	625/1378
60 Hz version										
GX 2 EP	10.3	150	3.4	12.2	7.2	2.2	3	61	99/153	187/337
GX 4 EP	10.3	150	7	25.2	14.8	4	5	62	105/159	193/351
GX 5 EP	10.3	150	9.2	33.1	19.5	5.5	7.5	64	110/164	198/362
GX 7 EP	10.3	150	13.5	48.6	28.6	7.5	10	66	160/214	264/472
G 7	7.4	107	21.2	76.3	44.9	7.5	10	65	185/250	280/362
	9.1	132	18.3	65.9	38.8	7.5	10	65	185/250	280/362
	10.8	157	16.4	59.1	34.8	7.5	10	65	185/250	280/362
	12.5	181	13.8	49.8	29.3	7.5	10	65	185/250	280/362
G 11	7.4	107	28.1	101.3	59.6	11	15	69	190/290	290/365
	9.1	132	24.6	88.6	52.1	11	15	69	190/290	290/365
	10.8	157	23.0	82.9	48.8	11	15	69	190/290	290/365
	12.5	181	19.1	68.8	40.5	11	15	69	190/290	290/365
G 15	7.4	107	33.1	119.3	70.2	15	20	71	198/303	303/375
	9.1	132	29.0	104.4	61.4	15	20	71	198/303	303/375
	10.8	157	27.3	98.4	57.9	15	20	71	198/303	303/375
	12.5	181	23.1	83.3	49.0	15	20	71	198/303	303/375
G 15L	7.4	107	44.0	158.4	93.2	15	20	67	537/1184	595/1312
	9.1	132	38.8	139.7	82.2	15	20	67	537/1184	595/1312
	10.8	157	37.0	133.2	78.4	15	20	67	537/1184	595/1312
	12.6	182	32.7	117.7	69.3	15	20	67	537/1184	595/1312
G 18	7.4	107	51.8	186.5	109.8	18	25	69	545/1202	609/1343
	9.1	132	46.9	168.8	99.4	18	25	69	545/1202	609/1343
	10.8	157	43.3	155.9	91.7	18	25	69	545/1202	609/1343
	12.6	182	39.9	143.6	84.5	18	25	69	545/1202	609/1343
G 22	7.4	107	60.5	217.8	128.2	22	30	70	561/1237	625/1378
	9.1	132	53.7	193.3	113.8	22	30	70	561/1237	625/1378
	10.8	157	48.6	175.0	103.0	22	30	70	561/1237	625/1378
	12.6	182	46.0	165.6	97.5	22	30	70	561/1237	625/1378

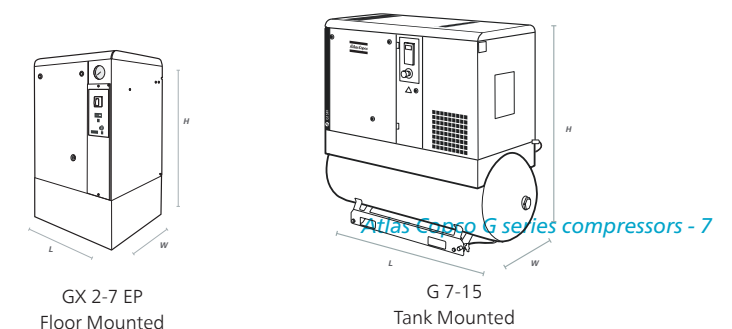
Dimensions

	L (mm)	W (mm)	H (mm)
Pack Floor Mounted			
GX 2-7 EP	620	605	975
G 7-15	855	720	1090
G15L-22	1130	830	1220
Full Feature Floor Mounted			
GX 2-7 EP	-	-	-
G 7-15	1205	720	1090
G15L-22	1280	830	1220
Pack Tank Mounted			
GX 2-7 EP	1420	575	1280
G 7-15*	1600	650	1337
G15L-22	1920	830	1920
Full Feature Tank Mounted			
GX 2-7 EP	1420	575	1280
G 7-15*	1600	650	1337
G15L-22	1920	830	1920

* Dimensions of G 7-15 tank mounted are 1935 x 590 x 1463 mm (L x W x H) with a 500 l vessel and 1880 x 590 x 1463 mm (L x W x H) with a 120 gal vessel.

*Tank mounted variant.
Standard air receiver size, GX 2-7 EP: 200 l/60 gal, G 7-15: 270 l/80 gal.

Unit performance measured according to ISO 1217, latest edition.
Mean noise level (pack variant) measured according to Pneuport/Cagi PN8NTC2 test code; tolerance 3 dB(A).





atlascopco.com

